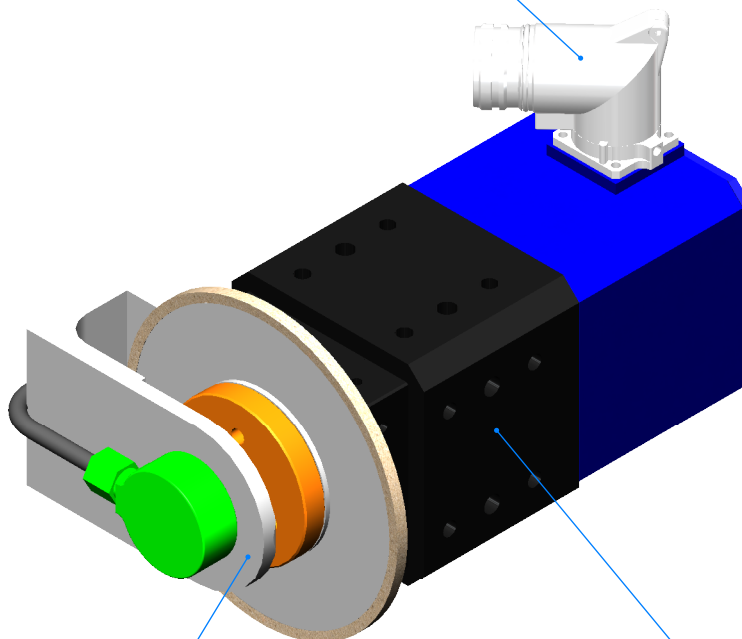




Max Engineering Inc.  
7039 Golf Club rd.  
Howell, MI 48843  
PH: 517-980-1793  
[www.wheeldresser.com](http://www.wheeldresser.com)  
[sales@wheeldresser.com](mailto:sales@wheeldresser.com)

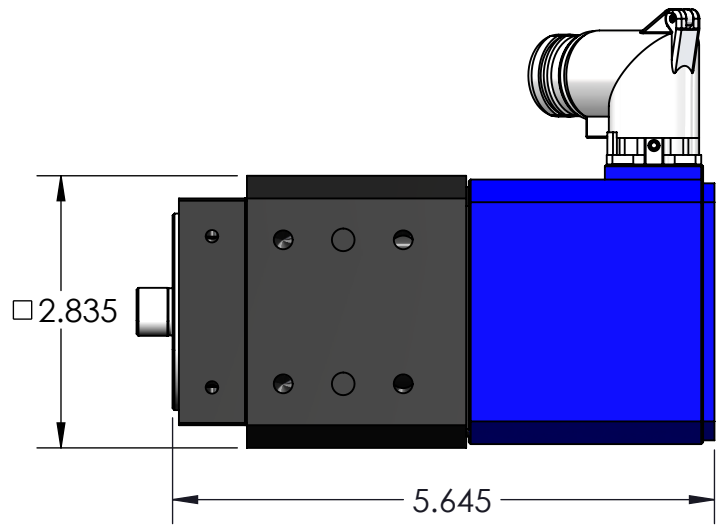
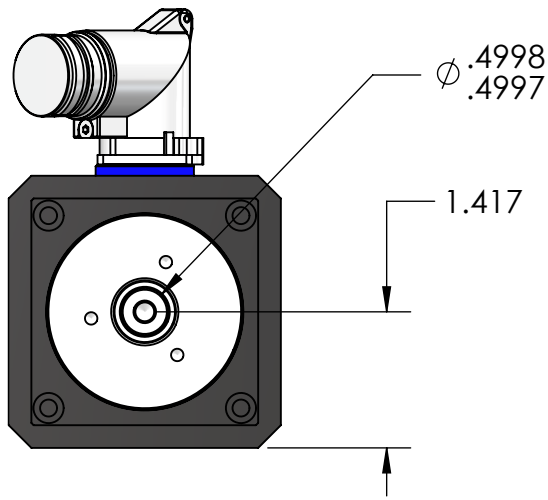
## *Mx12 Dressing System*

Stainless steel connector swivels 330°  
for in the field flexible connection options.  
Allows for straight or right angle connection  
of flexible cable with integral purge and metal  
armored core with 1.5" bend radius



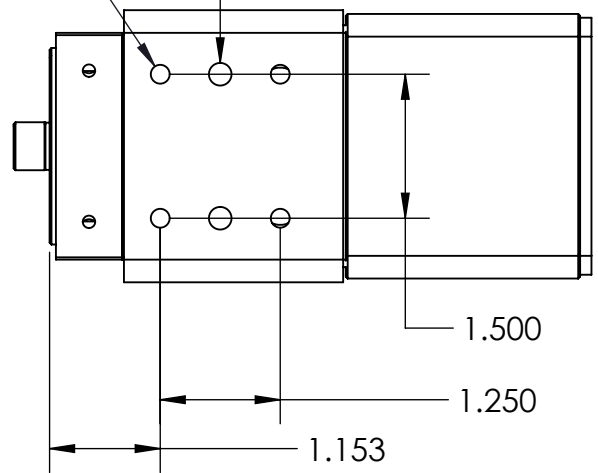
Mounting Foot on all  
4 sides for in the field  
mounting flexibility

Acoustic Sensing system Ready with mounting  
on all 4 sides for maximum dressing efficiency  
to minimize wheel overdressing

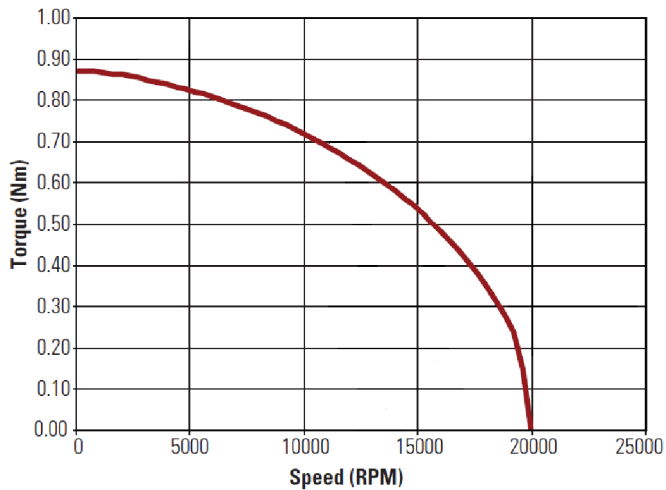


4X  $\phi .197 \nabla .550$   
M6  $\nabla .400$

2 X  $\phi .236$   
DOWEL HOLES  $\nabla .400$



**Continuous Torque**



MAX SPEED	12,000
CONT. TORQUE	.868 NM
PEAK TORQUE	2.24 NM
CONT. HP	.952
RADIAL STIFFNESS	850,000 LBS/IN
AXIAL STIFFNESS	140,000 LBS/IN